



Model 2070 Series

25.0 inHg max. vacuum
20.0 CFM open flow

Product Features

- Oilless operation
- Rugged construction/low maintenance
- Low noise

Includes

- Internal sound suppression
- Heavy duty internal filtration
- Vacuum gauge (AA640)
- Vacuum adjustable relief valve (AN226),

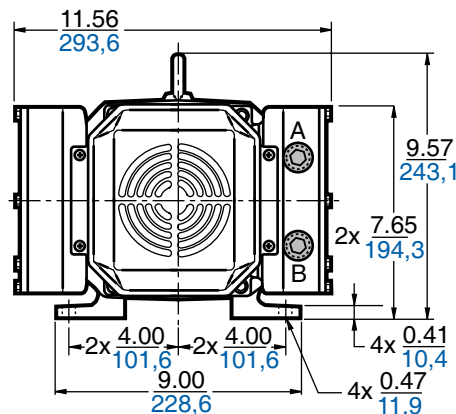
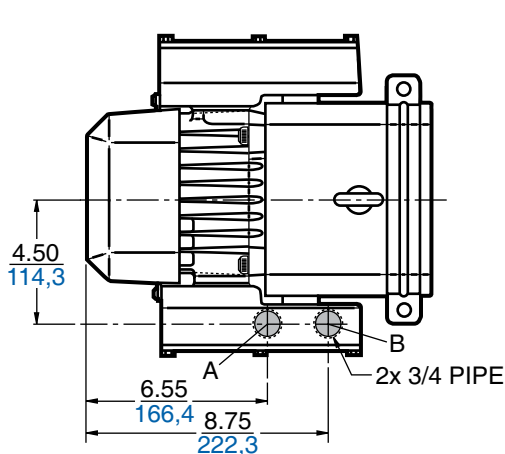
Recommended Accessories

- Gauges and relief valves for separate drive models. See above part numbers.
- Complete repair kit K560
- Filter/muffler kit K561
- Filter/muffler kit K563s

Units pictured without gauges.

Product Dimensions (inches, mm)

Dimensions are for reference only

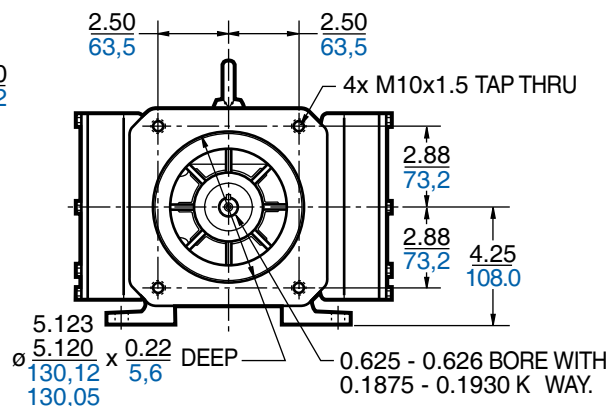
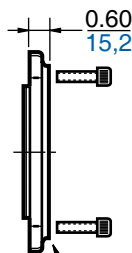
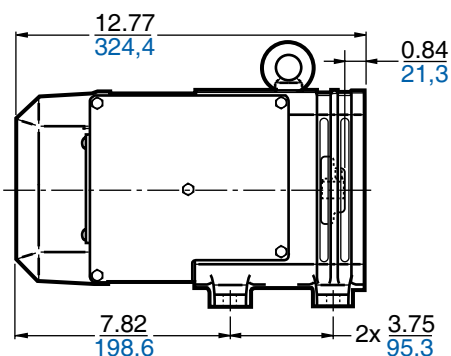


SHADED AREAS INDICATE DIFFERENCES BETWEEN DUAL AND SINGLE FUNCTION.

DUAL FUNCTION SHOWN (BOTH A & B)

SINGLE FUNCTION COMPRESSOR – A ONLY

SINGLE FUNCTION VACUUM – B ONLY



ADAPTOR AND 4x M10 FASTENERS INCLUDED (SHIPPED UNATTACHED)

ATTACH ADAPTOR TO MOTOR WITH (4) 3/8-16 SOCKET HEAD CAP SCREWS (NOT INCLUDED) AND THEN ATTACH THIS ASSEMBLY TO PUMP WITH (4) M10 FASTENERS (INCLUDED).

Product Specifications

Model Number	Motor	RPM		HP	kW	Net Weight	
		60 cycle	50 cycle			lbs	kg
2070-V119	Not included	1725	1425	1½	1,12	70	31,5
2070-V128-T903X	100-110/200-240; 100-115/200-230; 50/60-1	1725	1425	1½	1,12	100	45,0

Product Performance

